

PurClean Features

- Glass, chrome and painted areas dry perfectly spot-free
- Minimizes labor – No more towel drying vehicles
- Patent Pending Water Stabilizer – Eliminates the need and ongoing expense of a water softener
- Automatic membrane flush – Prolongs membrane life
- On-Board TDS Monitor – Provides incoming and product water quality
- Low pressure shut off safety feature
- Automatic backflushing enhanced carbon filter
- Minimal Maintenance required
- ETL Listed



6,000 Gallon Per Day
Stand-mount Spot-free System



PurClean Options

- Reject Water Recovery System
- Pur-Clean Window Rinse System
- Chemical feed / Delivery System
- Self Serve Bay System

BACK: SUPPORTING PRODUCTS, SYSTEM DIAGRAM, AND ADDITIONAL SPECIFICATIONS

ALSO INQUIRE ABOUT OUR PURWATER WATER RECOVERY SYSTEM

QUALITY WATER

IS THE

ESSENTIAL INGREDIENT

TO DELIVERING

THE PERFECT

VEHICLE WASH.

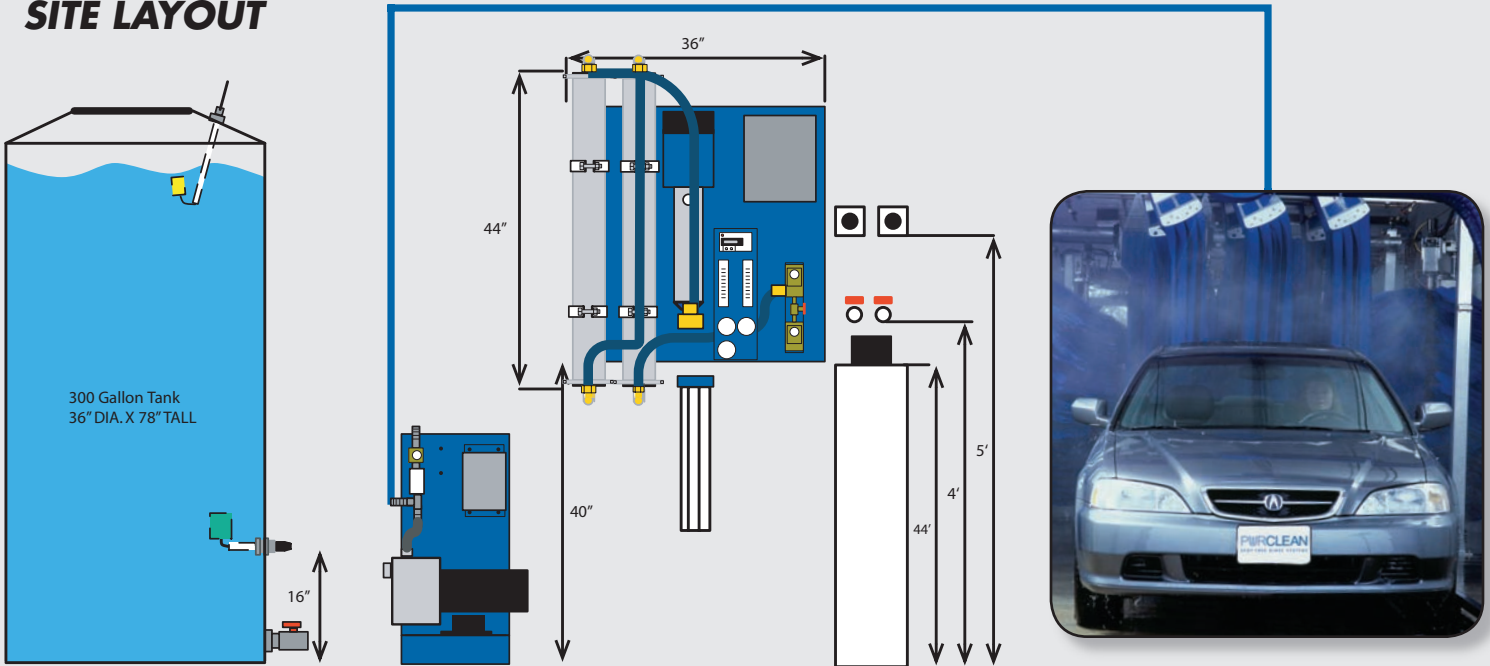
WWW.PURCLEAN.COM

CORPORATE
3315 Orange Grove Avenue
North Highlands, CA 95660
800.882.8854

MARKETING
2706 Alternate U.S. 19 North
Palm Harbor, FL 34683
800.818.8868

NEWWAVE
INDUSTRIES

**TECHNICAL
SITE LAYOUT**



PurClean Systems – Extremely Versatile to Meet Your Specific Needs



**3000 Gallon Per Day
Wall-mount Spot-free System**

- For installations where floorspace is limited
- Pre-wired & pre-plumbed for ease of installation
- Perfect system for In-Bay Touch-Free/Friction, Drive-through, Auto Dealer
- Fleet & Self-Serve sites.
- ETL Approved



**6000 Gallon Per Day
Stand-mount Spot-free System**

- Skid mounted design includes all necessary components and delivery system(s) required
- Pre-wired & pre-plumbed for ease of installation
- Perfect system for high volume Full Serve/Express, Drive-through and multiple wash system sites
- ETL Approved



**Xtreme Environment System
Available in 3000 & 4500 GPD Models**

- Designed to withstand the harsh environment of a wash bay
- Attractive fiberglass cabinet prolongs component life
- Perfect system for In-Bay Touch-Free/Friction, Drive-through and other installations where an equipment room is not an option
- ETL Approved